

BX Hi Z OUTPUT PRESENTS THE BX SUPPLY VOLTAGE WITH AN INTERNAL 47 K OHM RESISTOR IN SERIES.

NX Hi Z OUTPUT PRESENTS THE NX SUPPLY VOLTAGE WITH AN INTERNAL 47 K OHM RESISTOR IN SERIES.

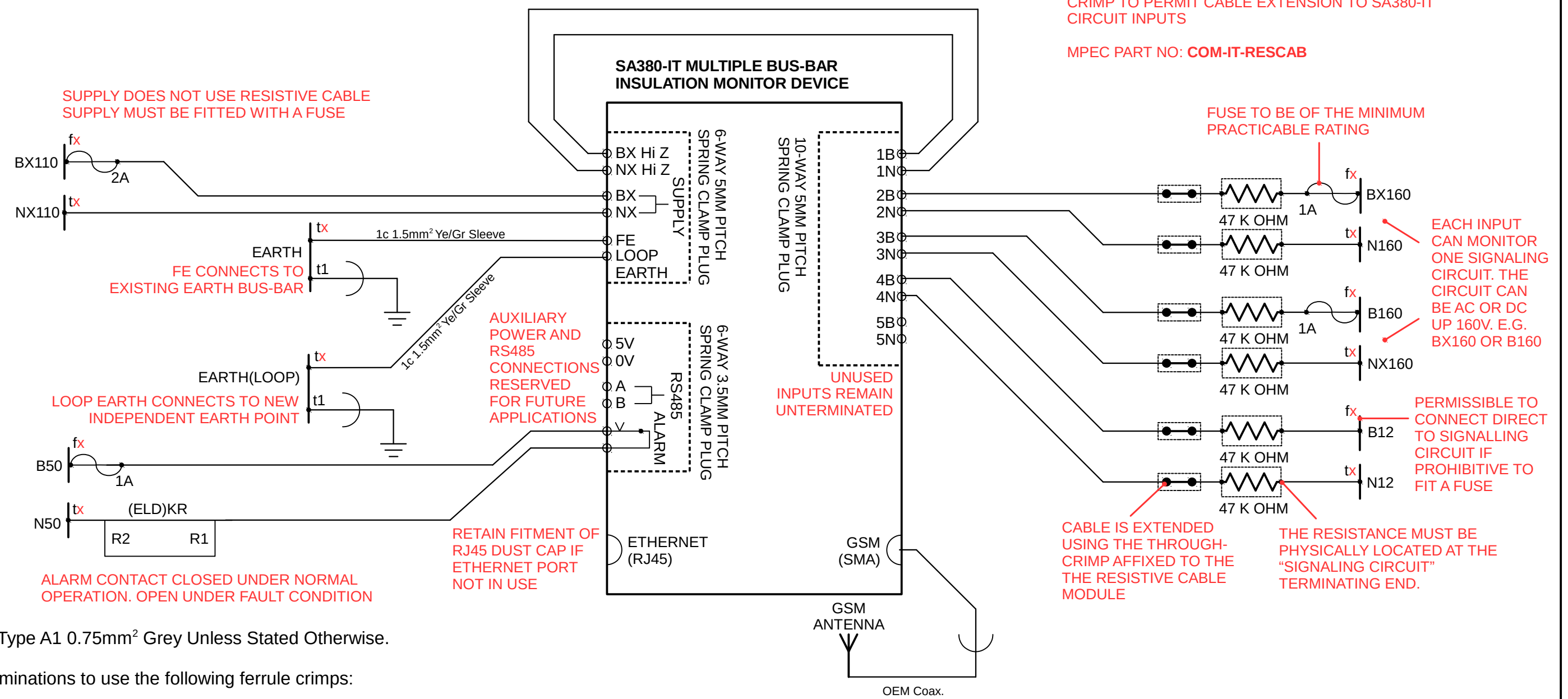
THIS IS TO ALLOW THE SUPPLY CIRCUIT TO BE MONITORED WITHOUT THE REQUIREMENT FOR AN ADDITIONAL TERMINATION ON THE SIGNALING BUS-BAR OR THE USE OF RESISTIVE CABLES

WHERE Hi Z OUTPUT IS NOT USED, EACH INPUT MUST BE PROTECTED FROM SHORT CIRCUIT THROUGH THE FITMENT OF RESISTIVE CABLES.

RESISTANCE SEALED IN-LINE, MARKED "47 K OHM". AND FITTED 300MM FROM "BUS-BAR" END OF THE CABLE

CABLE PRE-TERMINATED WITH RED PIDG THROUGH CRIMP TO PERMIT CABLE EXTENSION TO SA380-IT CIRCUIT INPUTS

MPEC PART NO: **COM-IT-RESCAB**




All wiring 1c Type A1 0.75mm² Grey Unless Stated Otherwise.

SA380-IT terminations to use the following ferrule crimps:

- **0.75mm² Cable:** WEIDMULLER H0,75/16 W SV INSULATED FERULE. P/N: 9025860000
- **1.50mm² Cable:** WEIDMULLER H1,5/10 UNINSULATED FERULE. P/N: 0186500000

Use square crimp tool: WEIDMULLER PZ 10 SQR WIRE END FERULE CRIMPER. P/N: 1445080000

GSM PATCH ANTENNA MOUNTED EXTERNAL TO LOCATION / REB / EQUIPMENT ROOM

Drawn:	Checked:	Produced:	Title:	Drawing No:	SA380-IT-TYP-01
MJB	ML		SA380-IT: Typical Circuits: Separate earth points with HiZ outputs in use	Issue No:	AB1
				Issue Date:	14 th Oct 2020

