

USE THE FOLLOWING CRIMP FERULES AND CRIMP TOOL ON ALL SA380-IT PLUG COUPLERS

FOR USE WITH 0.75 MM SQ WIRE:
WEIDMULLER H0,75/16 W SV INSULATED FERULE. P/N: 9025860000

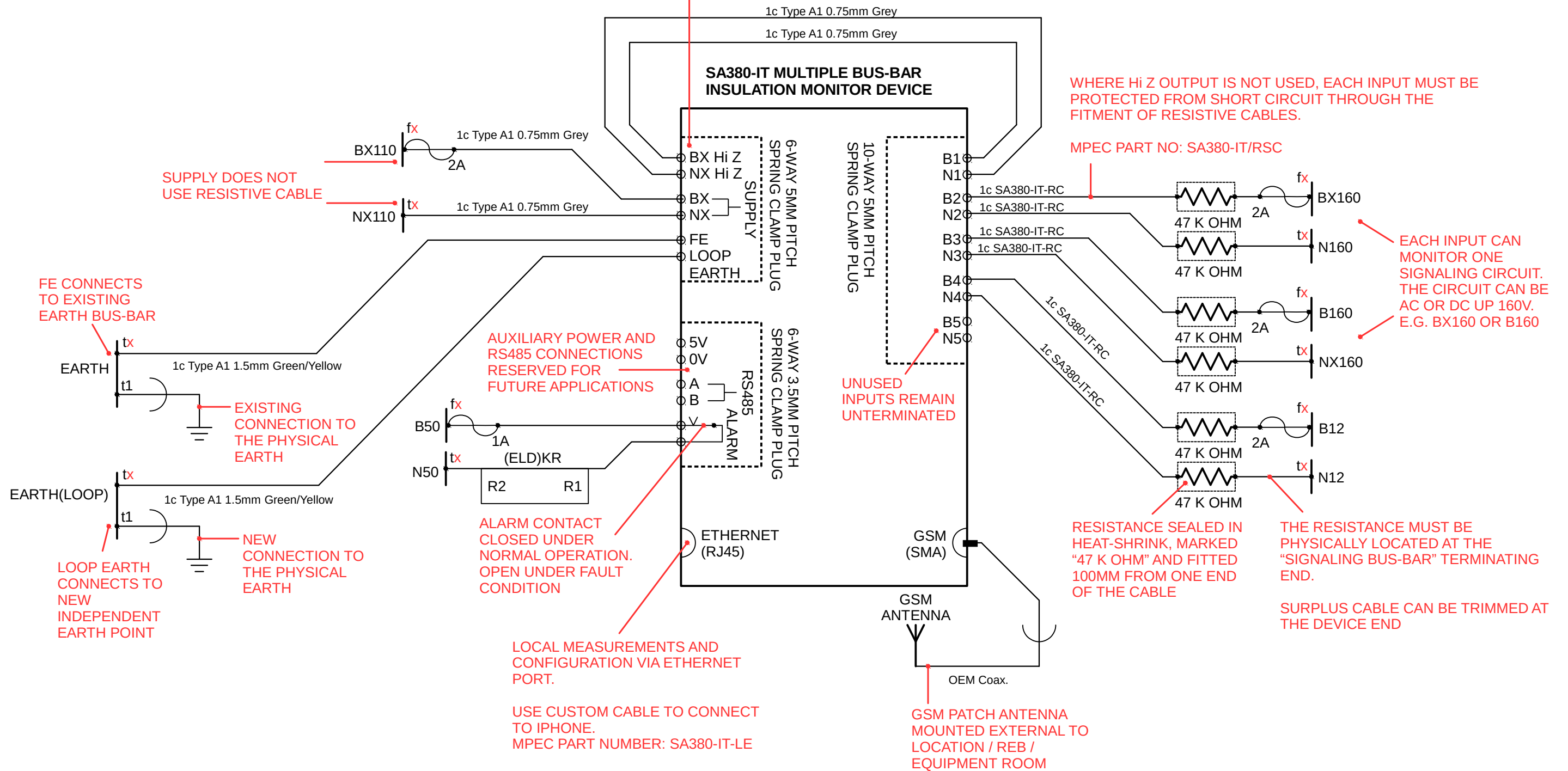
FOR USE WITH 1.50 MM SQ WIRE:
WEIDMULLER H1,5/10 UNINSULATED FERULE. P/N: 0186500000

CRIMP TOOL:
WEIDMULLER PZ 10 SQR WIRE END FERULE CRIMPER. P/N: 1445080000

BX Hi Z OUTPUT PRESENTS THE BX SUPPLY VOLTAGE WITH AN INTERNAL 47 K OHM RESISTOR IN SERIES.

NX Hi Z OUTPUT PRESENTS THE NX SUPPLY VOLTAGE WITH AN INTERNAL 47 K OHM RESISTOR IN SERIES.

THIS IS TO ALLOW THE SUPPLY CIRCUIT TO BE MONITORED WITHOUT THE REQUIREMENT FOR AN ADDITIONAL TERMINATION ON THE SIGNALING BUS-BAR OR THE USE OF RESISTIVE CABLES



Drawn:	Checked:	Produced:	Title:	Drawing No:	SA380-IT-TYP-01
MJB	ML		SA380-IT Typical Circuits: Separate earth points with HiZ outputs in use	Issue No:	AA1
				Issue Date:	27 th Feb 2017

USE THE FOLLOWING CRIMP FERULES AND CRIMP TOOL ON ALL SA380-IT PLUG COUPLERS

FOR USE WITH 0.75 MM SQ WIRE:

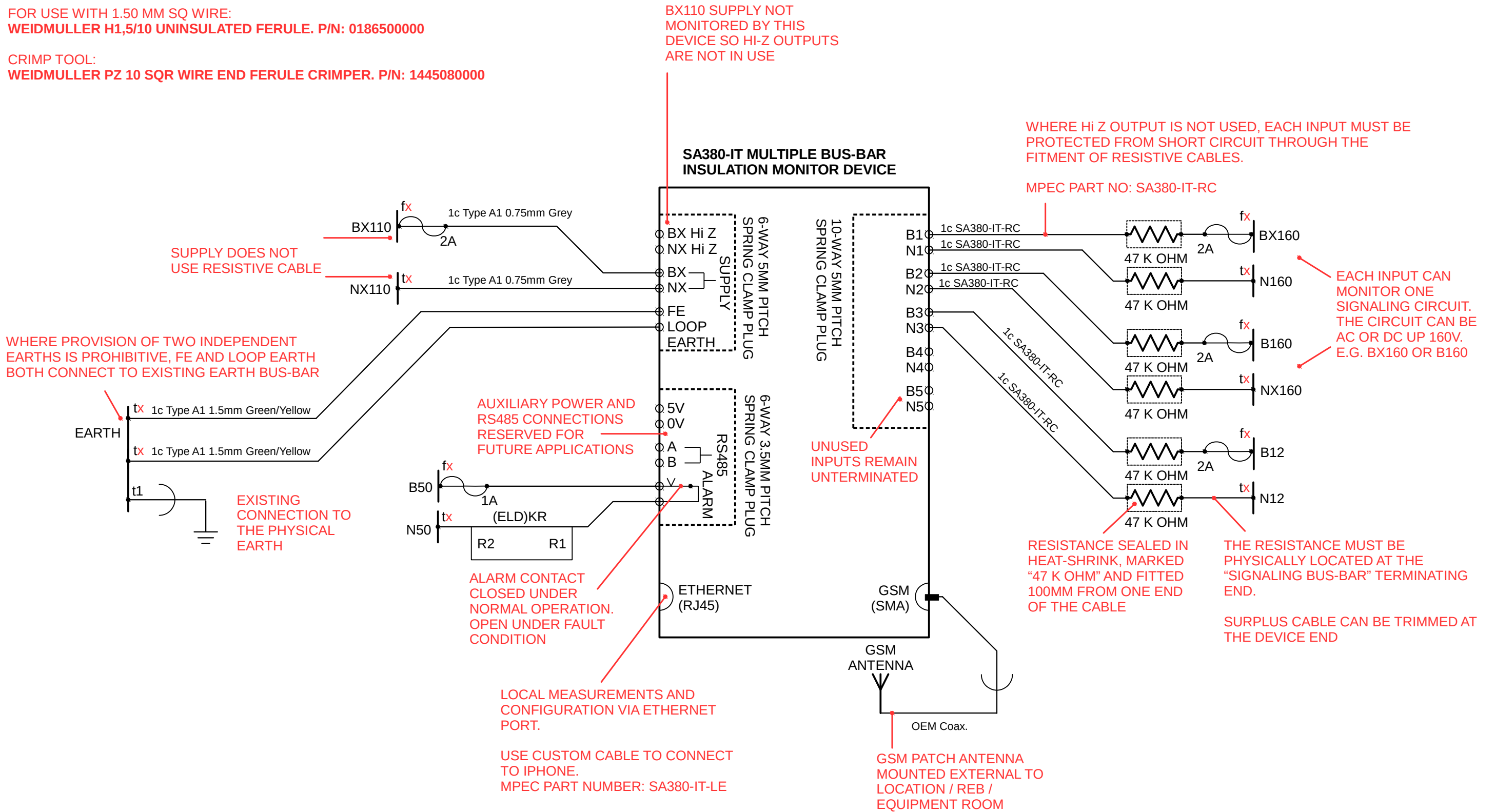
WEIDMULLER H0,75/16 W SV INSULATED FERULE. P/N: 9025860000


FOR USE WITH 1.50 MM SQ WIRE:

WEIDMULLER H1,5/10 UNINSULATED FERULE. P/N: 0186500000

CRIMP TOOL:

WEIDMULLER PZ 10 SQR WIRE END FERULE CRIMPER. P/N: 1445080000



Drawn:	Checked:	Produced:	Title:	Drawing No:	SA380-IT-TYP-02
MJB	ML		SA380-IT Typical Circuits: Combined earth points with HiZ outputs not in use	Issue No:	AA1
				Issue Date:	27 th Feb 2017