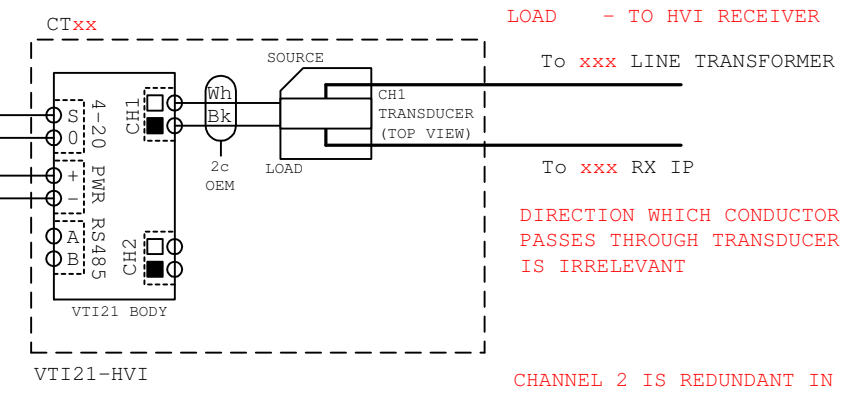


EXAMPLE WIRING FOR 4-20MA OPERATION



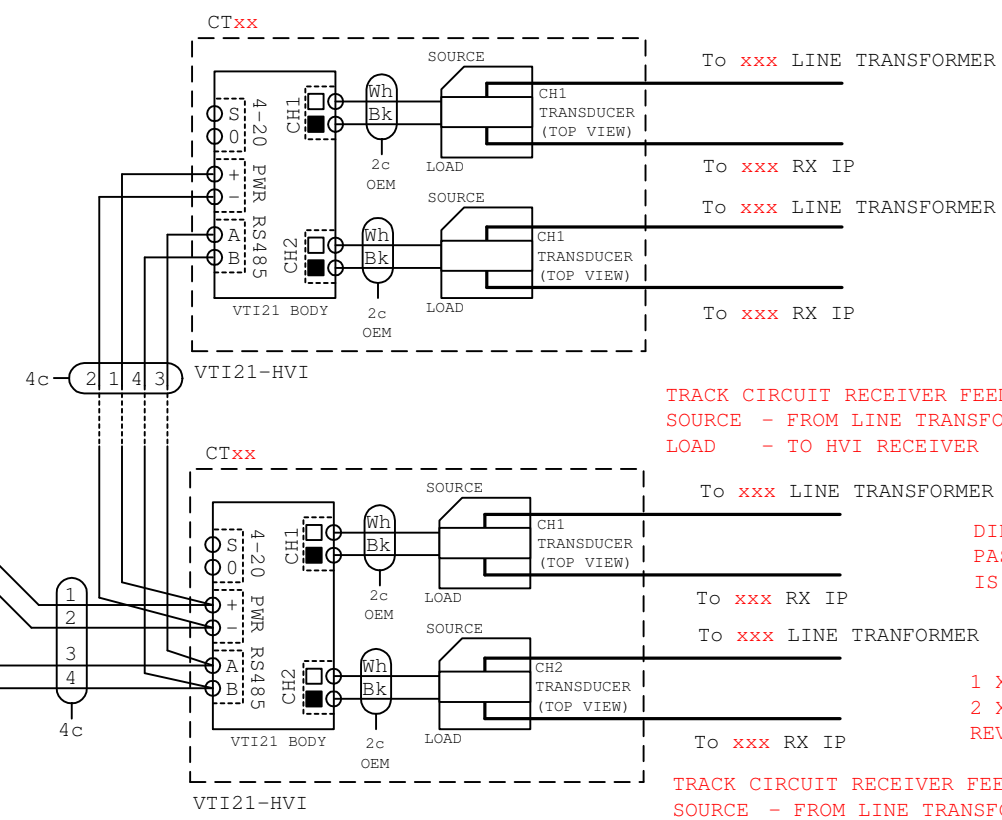
TRACK CIRCUIT RECEIVER FEED:
SOURCE - FROM LINE TRANSFORMER
LOAD - TO HVI RECEIVER

1 X VTI21 CAN MONITOR
1 X HVI TRACK CIRCUIT
REVEIVER IN 4-20MA MODE

DIRECTION WHICH CONDUCTOR
PASSES THROUGH TRANSDUCER
IS IRRELEVANT

CHANNEL 2 IS REDUNDANT IN 4-20MA MODE

EXAMPLE WIRING FOR RS485 OPERATION



TRACK CIRCUIT RECEIVER FEED:
SOURCE - FROM LINE TRANSFORMER
LOAD - TO HVI RECEIVER

UP TO 7 X VTI21 OF ANY
VARIANT CAN BE ATTACHED
TO THE RS485 BUS

DIRECTION WHICH CONDUCTOR
PASSES THROUGH TRANSDUCER
IS IRRELEVANT

1 X VTI21 CAN MONITOR
2 X HVI TRACK CIRCUIT
REVEIVERS IN RS485 MODE

TRACK CIRCUIT RECEIVER FEED:
SOURCE - FROM LINE TRANSFORMER
LOAD - TO HVI RECEIVER

Drawn:	Checked:	Produced by:	Title:	Drawing No:	MPE-VTI-005
MJB	ML	mpec	VTI21-HVI TYPICAL CIRCUIT	Issue No.	AA1
				Issue Date:	29th Sep 2015