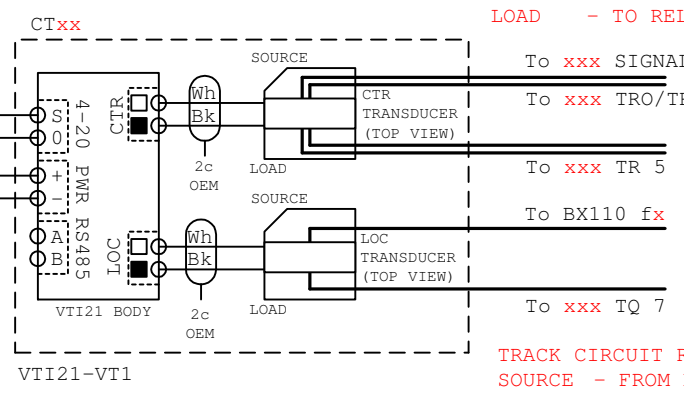


EXAMPLE WIRING FOR 4-20MA OPERATION

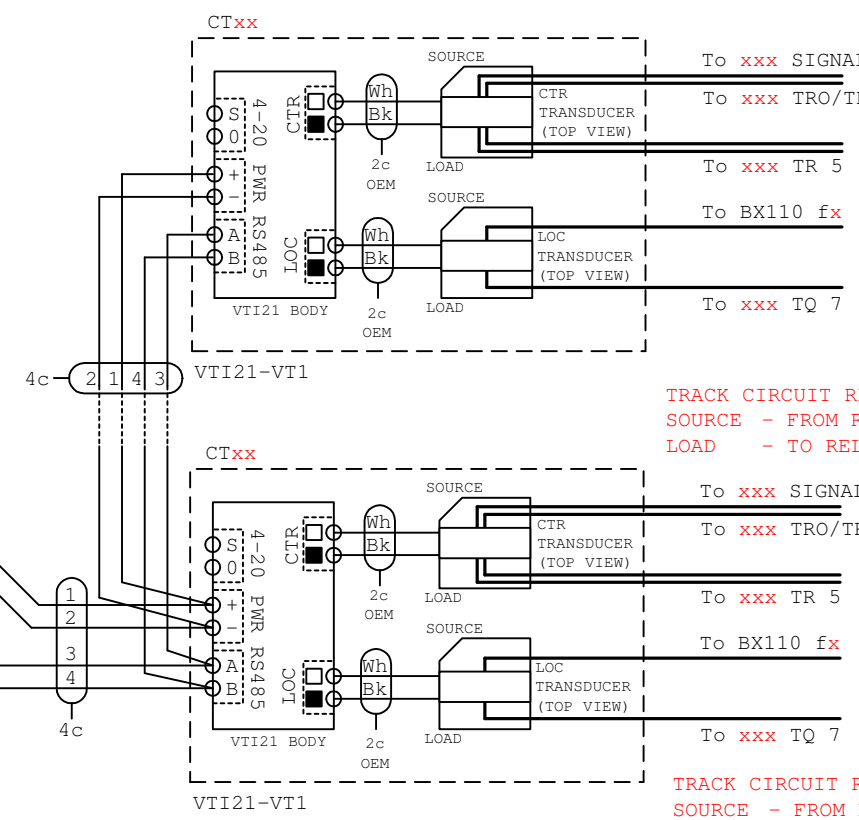


TRACK CIRCUIT RELAY CONTROL COIL FEED:  
SOURCE - FROM RAIL  
LOAD - TO RELAY CONTROL COIL

CONTROL COIL FEED IS USUALLY VIA TWO WIRES. ENSURE ALL CURRENT CARRYING CONDUCTORS PASS THROUGH THE TRANSDUCER

TRACK CIRCUIT RELAY LOCAL COIL FEED:  
SOURCE - FROM BX110 T/J  
LOAD - TO RELAY LOCAL COIL

EXAMPLE WIRING FOR RS485 OPERATION



TRACK CIRCUIT RELAY CONTROL COIL FEED:  
SOURCE - FROM RAIL  
LOAD - TO RELAY CONTROL COIL

UP TO 7 x VTI21 OF ANY VARIANT CAN BE ATTACHED TO THE RS485 BUS

TRACK CIRCUIT RELAY LOCAL COIL FEED:  
SOURCE - FROM BX110 T/J  
LOAD - TO RELAY LOCAL COIL

Drawn:	Checked:	Produced by:	Title:	Drawing No:	MPE-VTI-001
MJB	ML	mpec	VTI21-VT1 TYPICAL CIRCUIT	Issue No.	AA1
				Issue Date:	28th Sep 2015