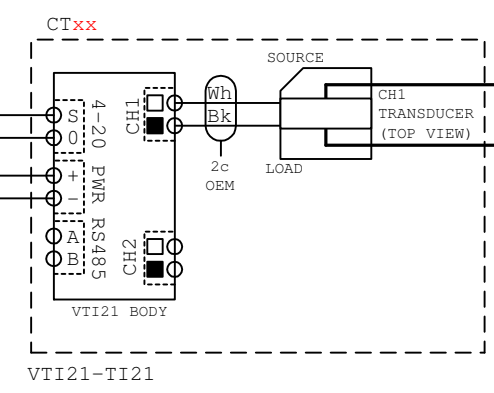


EXAMPLE WIRING FOR 4-20MA OPERATION

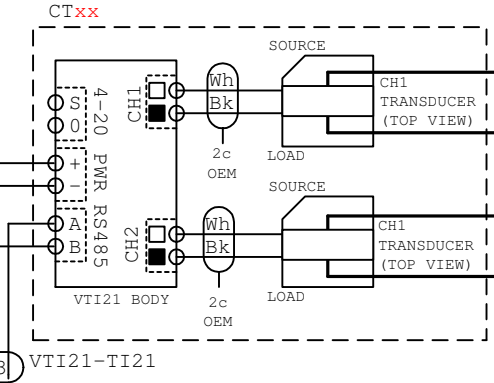


TRACK CIRCUIT RECEIVER FEED:  
SOURCE - FROM RX TUNING UNIT  
LOAD - TO TI21/EBITRACK 200 RECEIVER

1 X VTI21 CAN MONITOR  
1 X TI21 / EBITRACK 200  
TRACK CIRCUIT RECEIVERS IN  
4-20MA MODE

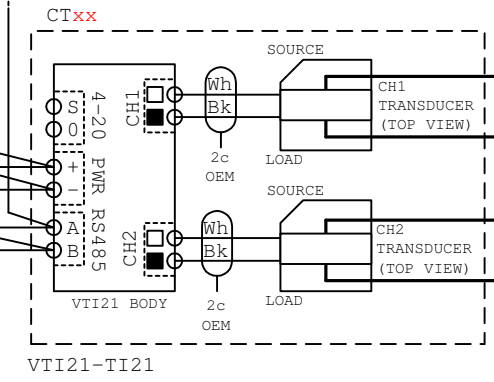
CHANNEL 2 IS REDUNDANT IN 4-20MA MODE

EXAMPLE WIRING FOR RS485 OPERATION



TRACK CIRCUIT RECEIVER FEED:  
SOURCE - FROM RX TUNING UNIT  
LOAD - TO TI21/EBITRACK 200 RECEIVER

UP TO 7 X VTI21 OF ANY  
VARIANT CAN BE ATTACHED  
TO THE RS485 BUS



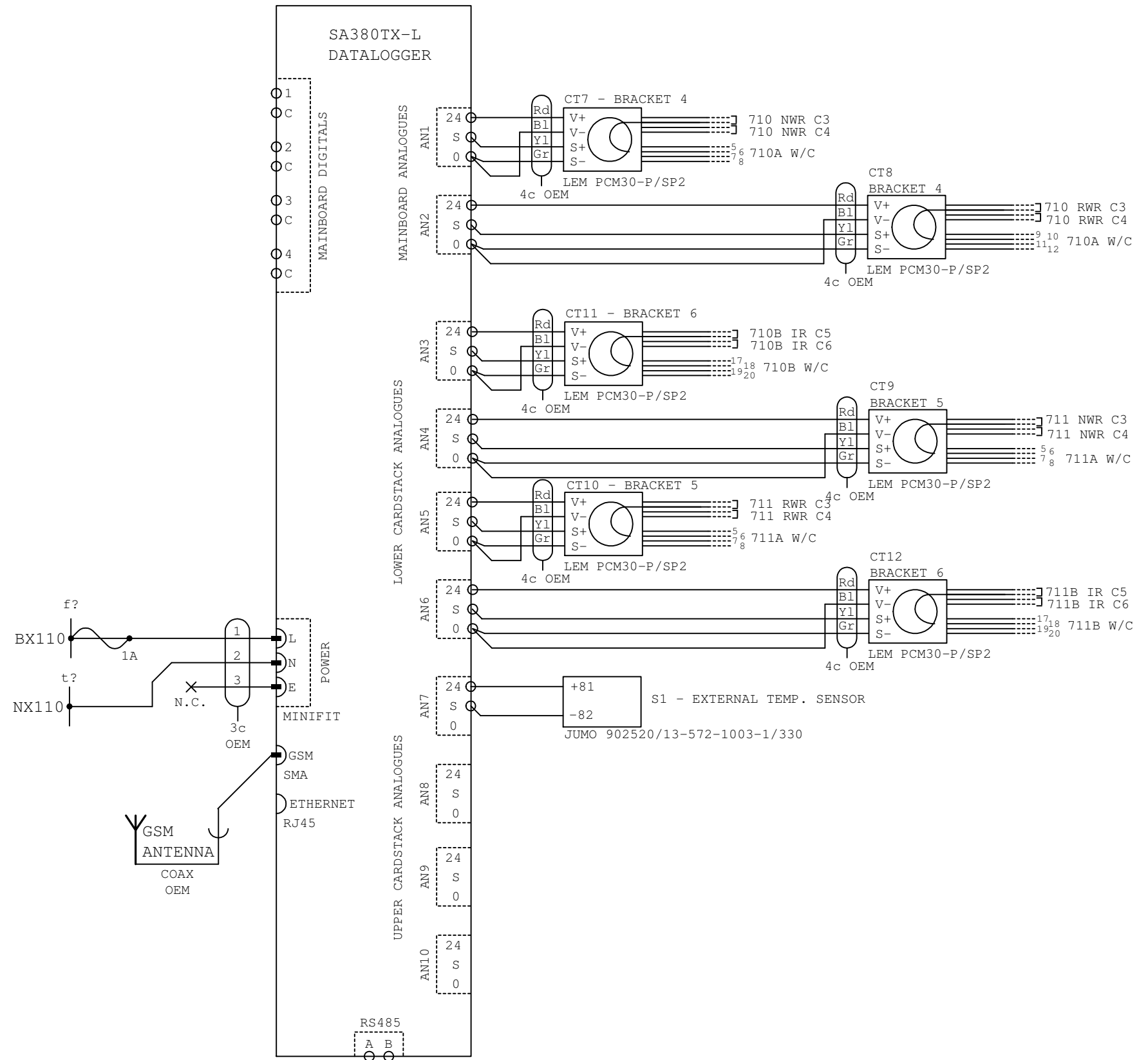
TRACK CIRCUIT RECEIVER FEED:  
SOURCE - FROM RX TUNING UNIT  
LOAD - TO TI21/EBITRACK 200 RECEIVER

DIRECTION WHICH CONDUCTOR  
PASSES THROUGH TRANSDUCER  
IS IRRELEVANT

1 X VTI21 CAN MONITOR  
2 X TI21 / EBITRACK 200  
TRACK CIRCUIT RECEIVERS IN  
RS485 MODE

TRACK CIRCUIT RECEIVER FEED:  
SOURCE - FROM RX TUNING UNIT  
LOAD - TO TI21/EBITRACK 200 RECEIVER

Drawn:	Checked:	Produced by:	Title:	Drawing No:	MPE-VTI-002
MJB	ML		VTI21-TI21 TYPICAL CIRCUIT	Issue No.	AA1
				Issue Date:	28th Sep 2015



Drawn:	Checked:	Produced by:	Title:	Drawing No:	SYD-PCM-004
MJB	NW		SYDNEY TRAINS PCM PILOT: LIDCOMBE RELAY ROOM [L1D1] - TX-L x 2	Issue No.:	AA1
				Issue Date:	25th Feb 2015