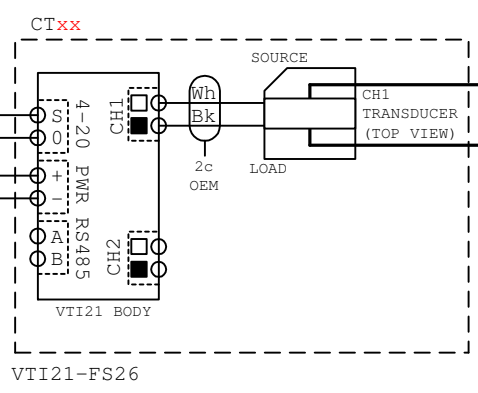


EXAMPLE WIRING FOR 4-20MA OPERATION



TRACK CIRCUIT RECEIVER FEED:  
SOURCE - FROM RAIL  
LOAD - TO FS2600 RECEIVER

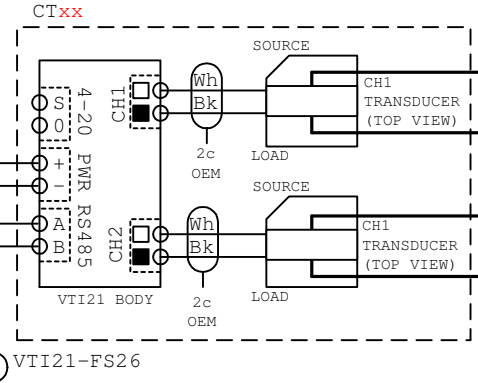
To xxx SIGNALLING RAIL  
To xxx RX IP

DIRECTION WHICH CONDUCTOR  
PASSES THROUGH TRANSDUCER  
IS IRRELEVANT

1 X VTI21 CAN MONITOR  
1 X FS2600 TRACK CIRCUIT  
REVEIVER IN 4-20MA MODE

CHANNEL 2 IS REDUNDANT IN 4-20MA MODE

EXAMPLE WIRING FOR RS485 OPERATION



To xxx SIGNALLING RAIL

To xxx RX IP

To xxx SIGNALLING RAIL

To xxx RX IP

UP TO 7 x VTI21 OF ANY  
VARIANT CAN BE ATTACHED  
TO THE RS485 BUS

TRACK CIRCUIT RECEIVER FEED:  
SOURCE - FROM RAIL  
LOAD - TO FS2600 RECEIVER

To xxx SIGNALLING RAIL

To xxx RX IP

To xxx SIGNALLING RAIL

DIRECTION WHICH CONDUCTOR  
PASSES THROUGH TRANSDUCER  
IS IRRELEVANT

1 X VTI21 CAN MONITOR  
2 X FS2600 TRACK CIRCUIT  
REVEIVERS IN RS485 MODE

TRACK CIRCUIT RECEIVER FEED:  
SOURCE - FROM RAIL  
LOAD - TO FS2600 RECEIVER

Drawn:	Checked:	Produced by:	Title:	Drawing No:	MPE-VTI-004
MJB	ML		VTI21-FS26 TYPICAL CIRCUIT	Issue No.	AA1
				Issue Date:	28th Sep 2015