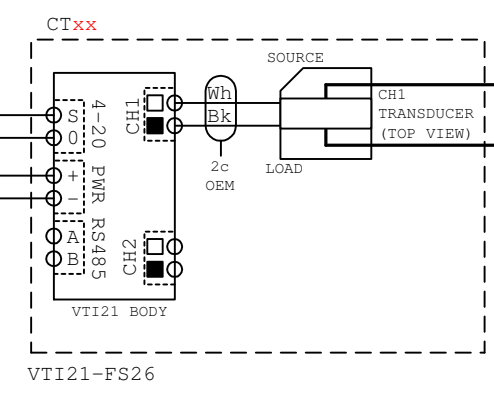


EXAMPLE WIRING FOR 4-20MA OPERATION

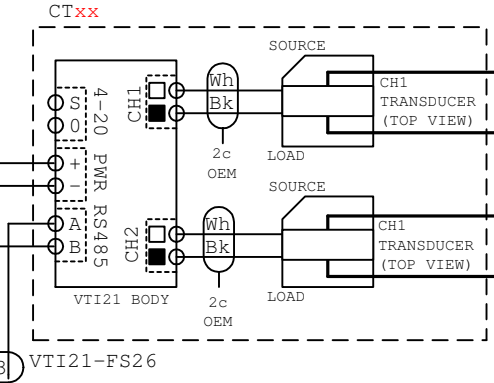


TRACK CIRCUIT RECEIVER FEED:
SOURCE - FROM RAIL
LOAD - TO FS2600 RECEIVER

1 X VTI21 CAN MONITOR
1 X FS2600 TRACK CIRCUIT
REVEIVER IN 4-20MA MODE

CHANNEL 2 IS REDUNDANT IN 4-20MA MODE

EXAMPLE WIRING FOR RS485 OPERATION



TRACK CIRCUIT RECEIVER FEED:
SOURCE - FROM RAIL
LOAD - TO FS2600 RECEIVER

UP TO 7 x VTI21 OF ANY
VARIANT CAN BE ATTACHED
TO THE RS485 BUS

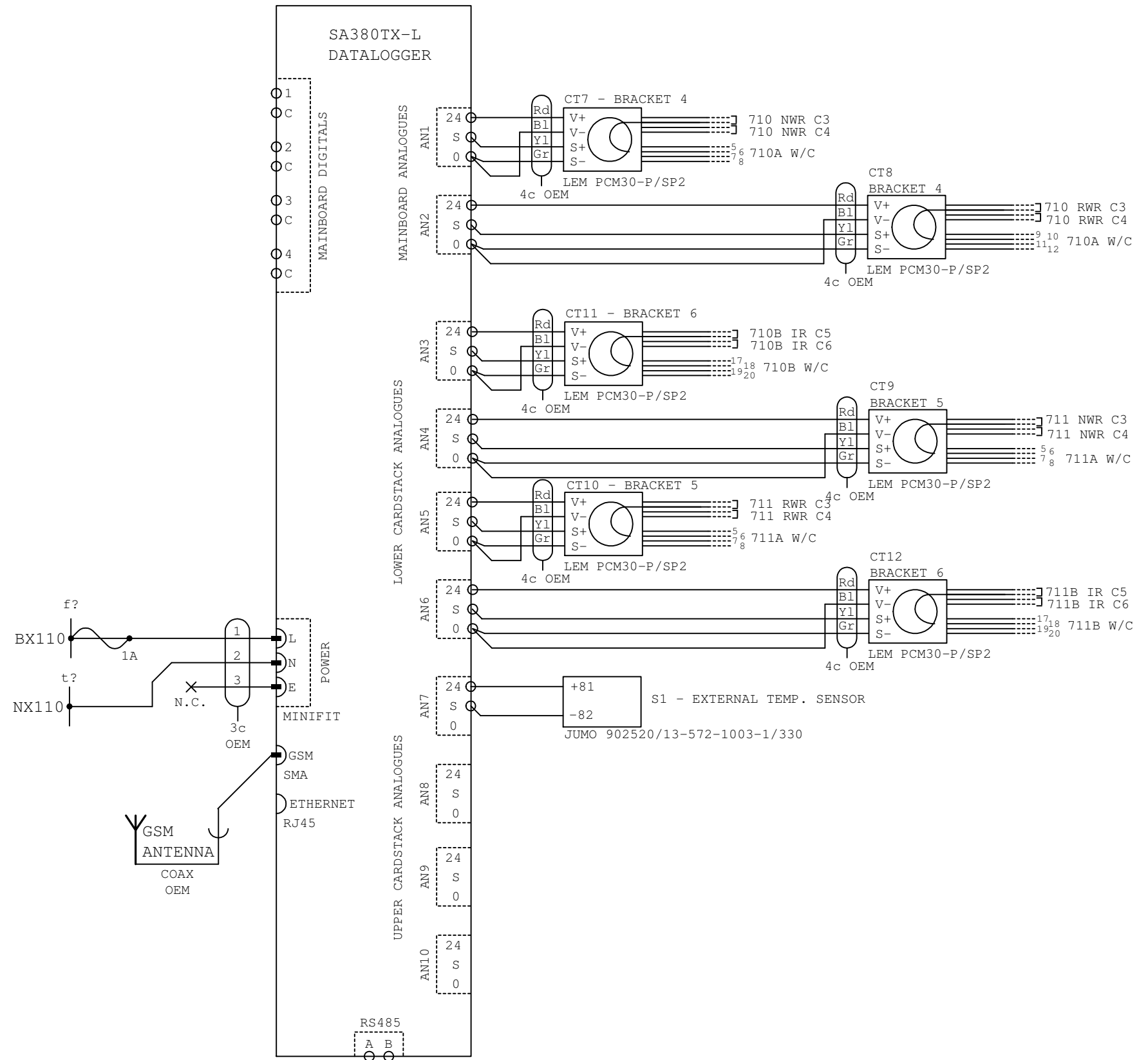
TRACK CIRCUIT RECEIVER FEED:
SOURCE - FROM RAIL
LOAD - TO FS2600 RECEIVER

DIRECTION WHICH CONDUCTOR
PASSES THROUGH TRANSDUCER
IS IRRELEVANT

1 X VTI21 CAN MONITOR
2 X FS2600 TRACK CIRCUIT
REVEIVERS IN RS485 MODE

TRACK CIRCUIT RECEIVER FEED:
SOURCE - FROM RAIL
LOAD - TO FS2600 RECEIVER

| | | | | | |
|--------|----------|--------------|-------------------------------|-------------|---------------|
| Drawn: | Checked: | Produced by: | Title: | Drawing No: | MPE-VTI-004 |
| MJB | ML | | VTI21-FS26 TYPICAL CIRCUIT | Issue No. | AA1 |
| | | | | Issue Date: | 28th Sep 2015 |



| | | | | | |
|--------|----------|--------------|---|-------------|---------------|
| Drawn: | Checked: | Produced by: | Title: | Drawing No: | SYD-PCM-004 |
| MJB | NW | | SYDNEY TRAINS PCM PILOT: LIDCOMBE RELAY ROOM [L1D1] - TX-L x 2 | Issue No.: | AA1 |
| | | | | Issue Date: | 25th Feb 2015 |