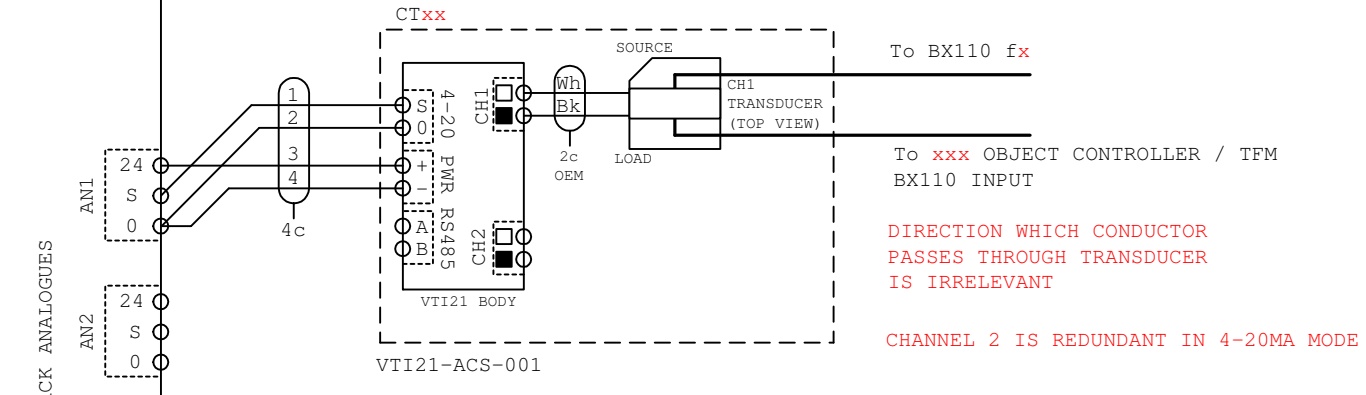


EXAMPLE WIRING SHOWS 4-20MA OPERATION

SIMPLE LOAD MONITORING CAN BE ACCOMPLISHED WITH THE VTI21-ACS-001 & VTI21-ACS-020 IN 4-20MA MODE AND RS485 MODE

SIMPLE LOAD MONITORING APPLICATION SHOWN

IN THIS APPLICATION THE LOAD HAS AN EXPECTED MAXIMUM CURRENT DRAW OF 1.8A RMS, HENCE THE VTI21-ACS-001 IS APPROPRIATE



DIRECTION WHICH CONDUCTOR PASSES THROUGH TRANSUDCER IS IRRELEVANT

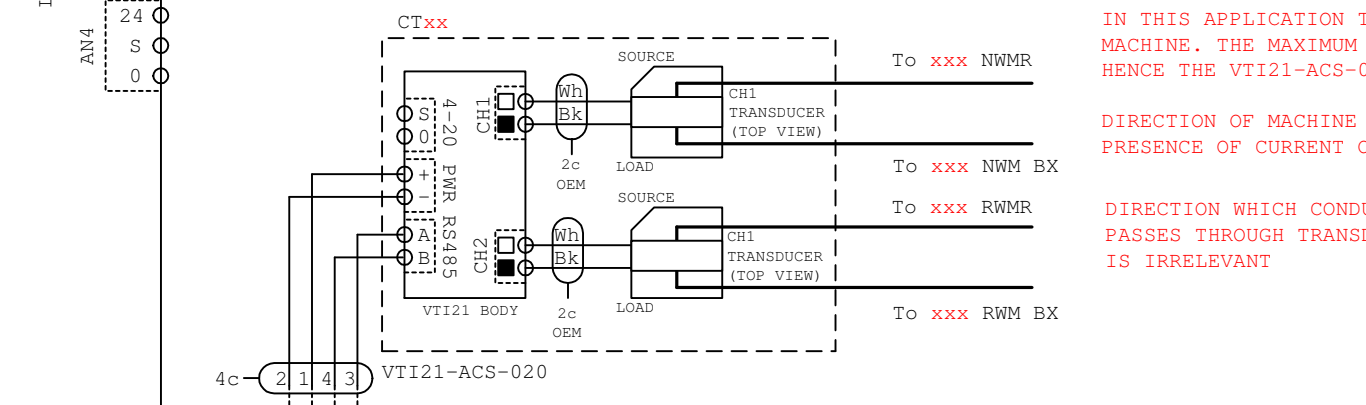
CHANNEL 2 IS REDUNDANT IN 4-20MA MODE

1 X VTI21 CAN MONITOR  
1 X EQUIPMENT ITEM IN 4-20MA MODE

EXAMPLE WIRING FOR RS485 OPERATION

SIMPLE LOAD MONITORING APPLICATION SHOWN

IN THIS APPLICATION THE LOAD IS A SINGLE PHASE AC POINT MACHINE. THE MAXIMUM CURRENT DRAW OF THE MACHINE IS 20A, HENCE THE VTI21-ACS-020 IS APPROPRIATE



DIRECTION OF MACHINE MOVEMENT CAN BE DETERIMED BY PRESENCE OF CURRENT ON ONE OF THE MONITORED CONDUCTORS

DIRECTION WHICH CONDUCTOR PASSES THROUGH TRANSUDCER IS IRRELEVANT

COMPLEX LOAD MONITORING APPLICATION SHOWN

IN THIS APPLICATION THE LOAD IS A THREE PHASE AC POINT MACHINE. THE MAXIMUM CURRENT DRAW OF THE MACHINE IS 20A, HENCE THE VTI21-ACS-020 IS APPROPRIATE

DIRECTION OF MACHINE MOVEMENT CAN BE DETERIMED BY EXAMINING THE PHASE RELATIONSHIP BETWEEN PHASE 1 AND PHASE 2 (LEAD OR LAG). HENCE CHOICE OF PHASE, AND DIRECTION THROUGH WHICH THE CONDUCTOR PASSES THROUGH THE TRANSUDCER ARE CRITICAL

POINT MOTOR FEED:  
SOURCE - PHASE CHANGE-OVER CONTACTOR  
LOAD - POINT MACHINE MOTOR

UP TO 7 x VTI21 OF ANY VARIANT CAN BE ATTACHED TO THE RS485 BUS

Drawn:	Checked:	Produced by:	Title:	Drawing No:	MPE-VTI-006
MJB	ML		VTI21-ACS-XXX TYPICAL CIRCUIT	Issue No.	AA1
				Issue Date:	29th Sep 2015